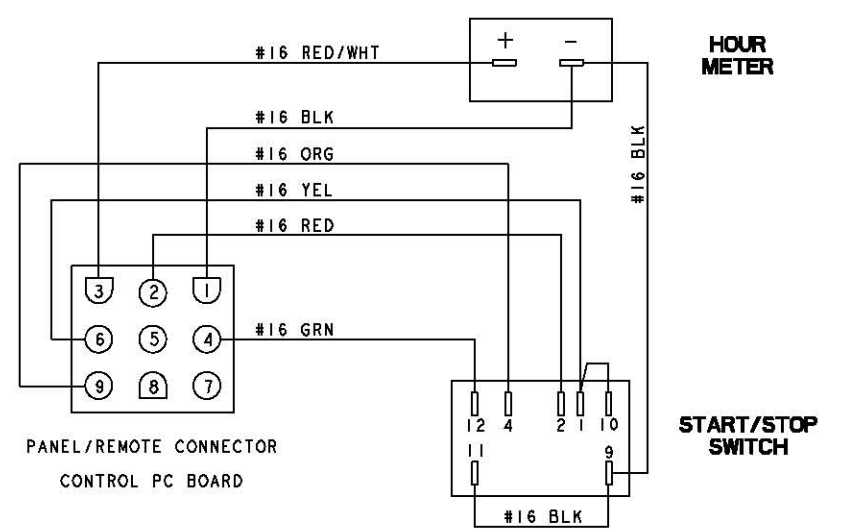
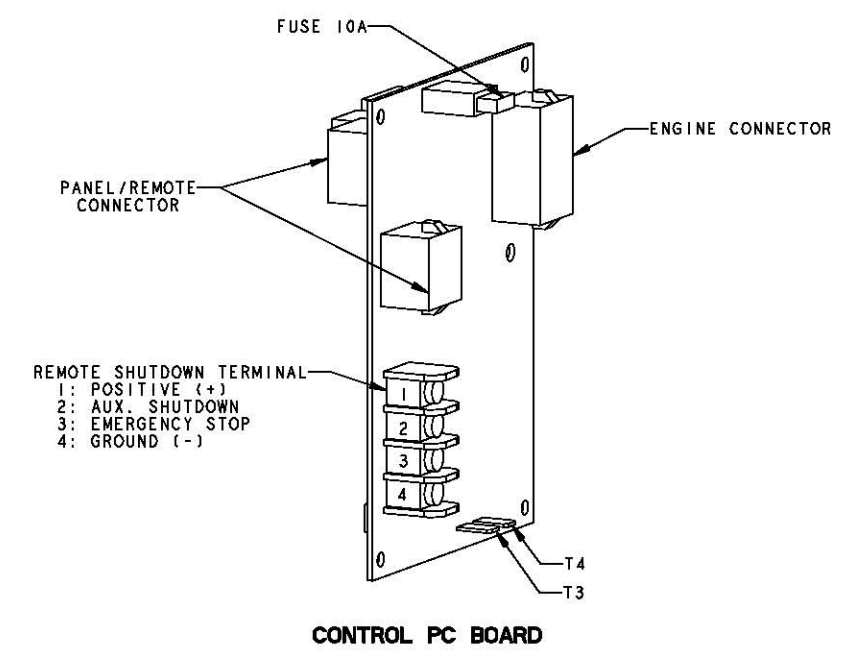
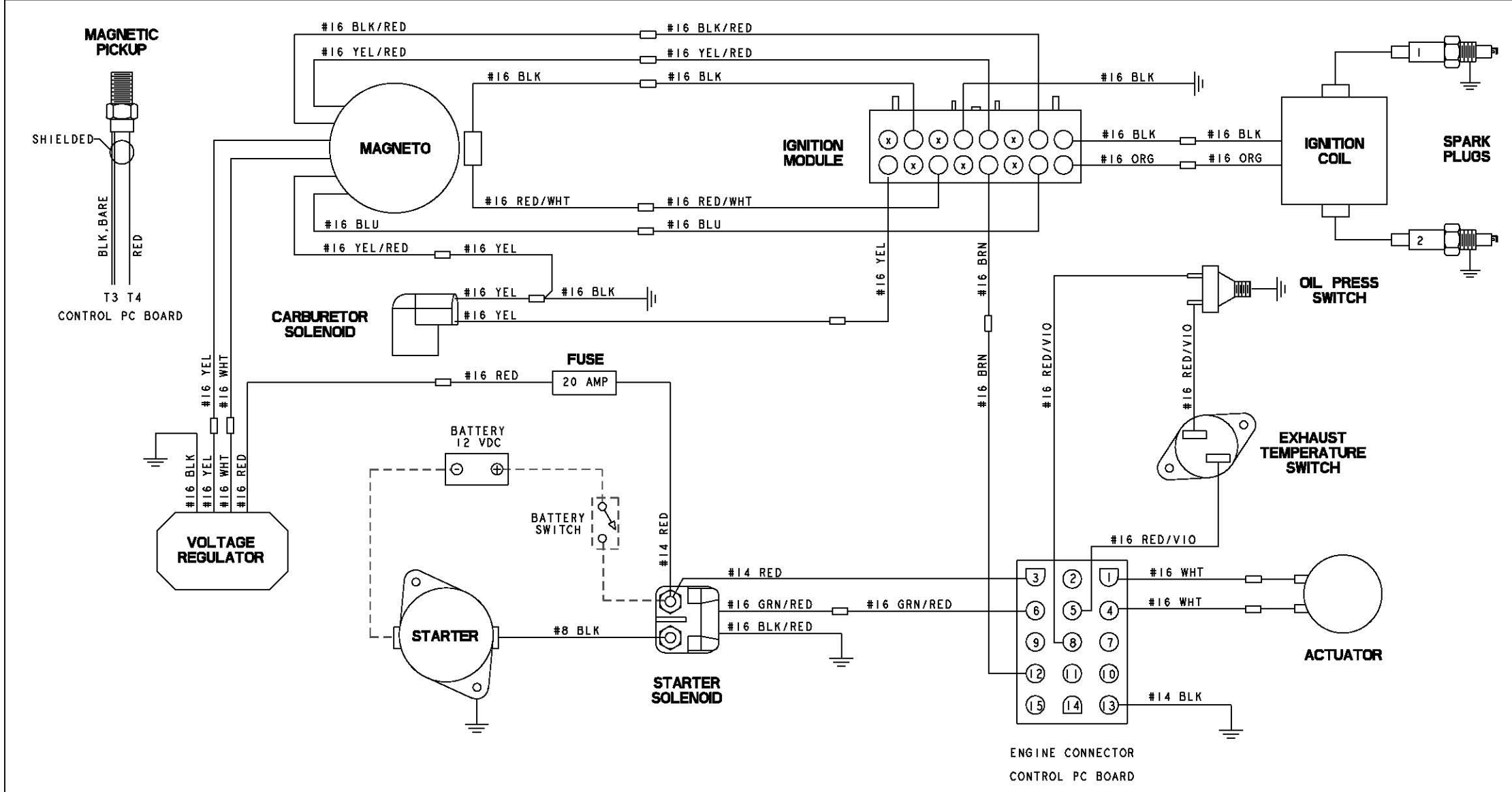


ECO NO.	DATE	REV.	REVISION RECORD	AUTH.	DR. BY



TOLERANCES (UNLESS OTHERWISE NOTED)		WESTERBEKE CORPORATION TAUNTON, MA. 02780	
INCHES	MILLIMETERS	TITLE WIRING DIAGRAM 3.0 BPMG	
.XX : .02	X. ± 1.0	DRAWN BY Jeremy Anderson	DATE 12/Sep/02
.XXX : .005	.X ± .5	APPROVED BY	MATERIAL
CAST : .03	.XX ± .13	SCALE DRAWING	DRAWING NUMBER
FINISH		SHT. 1 of 1	SCALE D
DIMENSIONS INCHES MILLIMETERS (WHEN APPLICABLE)		DRAWING NUMBER 46987	